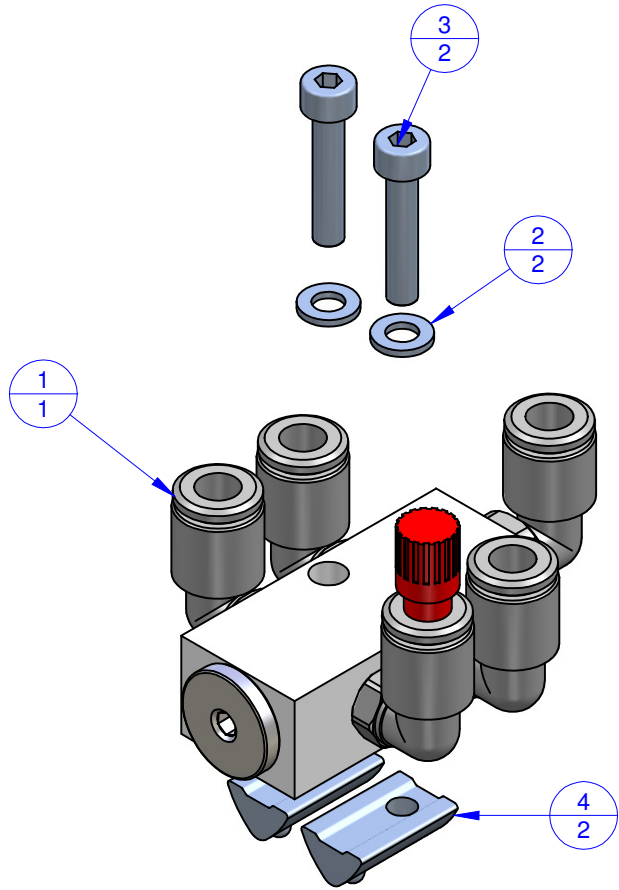


THE PROPERTY OF THIS DRAWING IS ESTABLISHED BY LAW
IT IS FORBIDDEN TO REPRODUCE IT OR SHOW IT TO THIRD PARTY
WITHOUT A WRITTEN AGREEMENT.

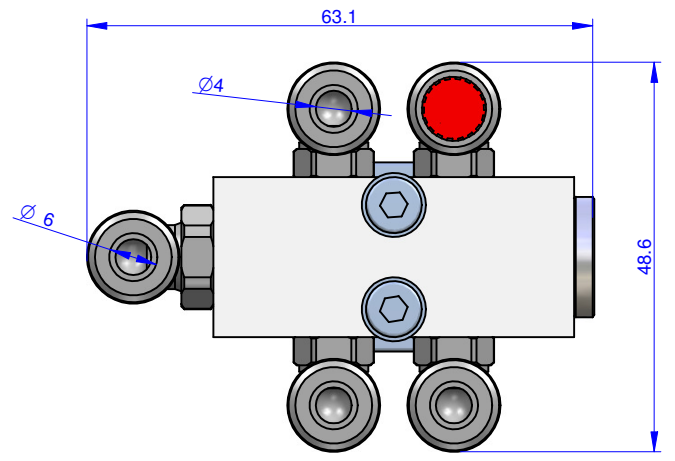
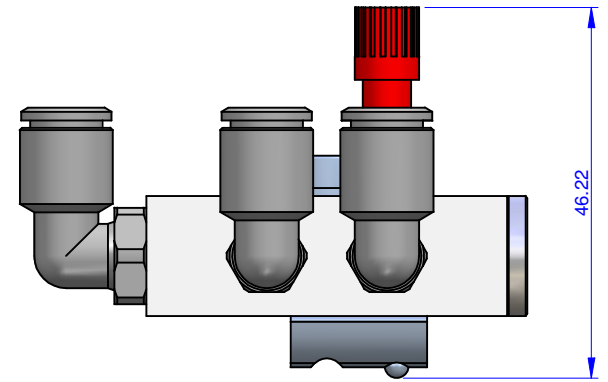
MODIFICATIONS: _____
 (7) (8) (9)
 VARIED DIMENSIONS AS OF DATE: _____
 (10) (11) (12)

MODIFICATIONS: _____
 (1) (2) (3)
 VARIED DIMENSIONS AS OF DATE: _____
 (4) (5) (6)

Format **A3**
 UNI 936-76



Object Number	Name	QTY
1*	KIT.13.02.006	1
2	R4	2
3	V.TCEI 4X20	2
4	CA.02.05.004	2



FP Services <small>GENERAL TOLERANCE: UNI - ISO 2768 CLASSE f</small>	<small>DESCRIPTION</small>	<small>DESIGNED FROM</small> FPSERVICES
		<small>DATE</small> 01/2014
		<small>WEIGHT</small> 0,000 kg
		<small>CODE</small> KIT.13.02.006.6

